

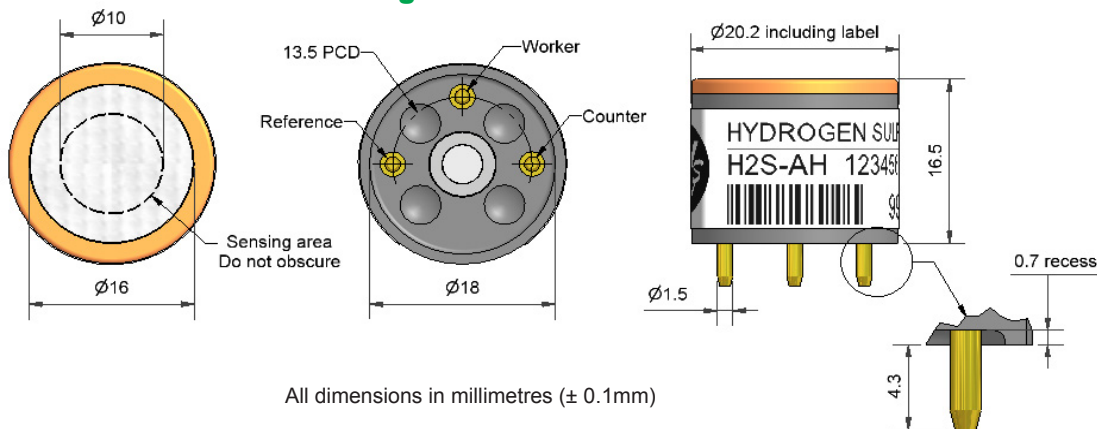


H2S-AH Hydrogen Sulfide Sensor

High Sensitivity



Figure 1 H2S-AH Schematic Diagram



All dimensions in millimetres (± 0.1 mm)

Top View

Bottom View

Side View

PERFORMANCE	Parameter	Specification	Range
	Sensitivity	nA/ppm in 20ppm H ₂ S	950 to 1450
	Response time	t ₉₀ (s) from zero to 20ppm H ₂ S	< 30
	Zero current	ppm equivalent in zero air	< ± 0.2
	Resolution	RMS noise (ppm equivalent)	< 0.03
	Range	ppm H ₂ S limit of performance warranty	50
	Linearity	ppm error at full scale, linear at zero and 20ppm H ₂ S	0 to -2.5
	Overtask limit	maximum ppm for stable response to gas pulse	250

LIFETIME	Parameter	Specification	Range
	Zero drift	ppm equivalent change/year in lab air	< 0.05
	Sensitivity drift	% change/year in lab air, monthly test	< 2
	Operating life	months until 80% original signal (24 month warranted)	> 24

ENVIRONMENTAL	Parameter	Specification	Range
	Sensitivity @ -20°C	% (output @ -20°C/output @ 20°C) @ 20ppm	80 to 92
	Sensitivity @ 50°C	% (output @ 50°C/output @ 20°C) @ 20ppm	100 to 110
	Zero @ -20°C	ppm equivalent change from 20°C	< ± 0.5
	Zero @ 50°C	ppm equivalent change from 20°C	< 0.5 to -2

CROSS SENSITIVITY	Gas	Sensitivity	Specification	Range
	NO ₂	sensitivity	% measured gas @ 10ppm	< -30
	Cl ₂	sensitivity	% measured gas @ 10ppm	< -25
	NO	sensitivity	% measured gas @ 50ppm	< 2
	SO ₂	sensitivity	% measured gas @ 20ppm	< 10
	CO	sensitivity	% measured gas @ 400ppm	< 1.5
	H ₂	sensitivity	% measured gas @ 400ppm	< 0.15
	C ₂ H ₄	sensitivity	% measured gas @ 400ppm	< 0.15
NH ₃	sensitivity	% measured gas @ 20ppm	< 0.1	

KEY SPECIFICATIONS	Parameter	Specification	Range
	Temperature range	°C	-30 to 50
	Pressure range	kPa	80 to 120
	Humidity range	% rh continuous	15 to 90
	Storage period	months @ 3 to 20°C (stored in sealed pot)	6
	Load resistor	Ω (recommended)	10 to 47
	Weight	g	< 6



At the end of the product's life, do not dispose of any electronic sensor, component or instrument in the domestic waste, but contact the instrument manufacturer, Alphasense or its distributor for disposal instructions.

Technical Specification

ApolloSense Ltd



H2S-AH Performance Data

Technical Specification

Figure 2 Sensitivity Temperature Dependence

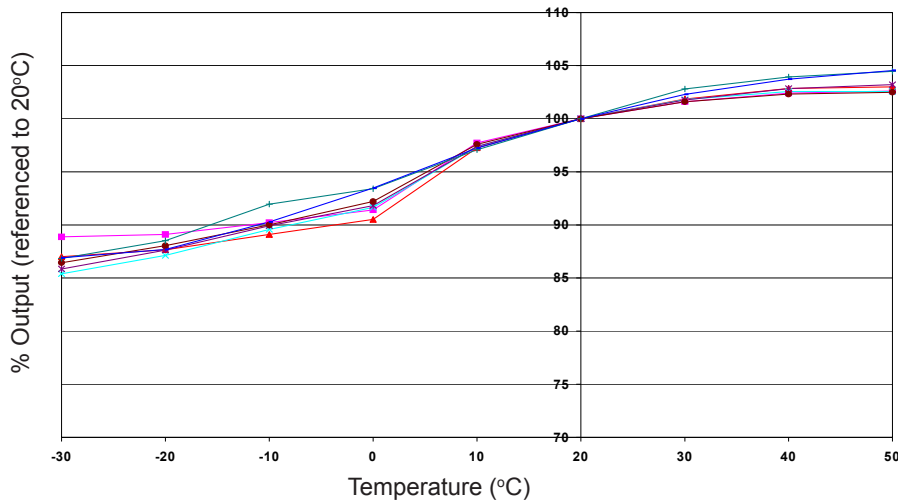


Figure 2 shows the variation in sensitivity caused by changes in temperature.

This data is taken from a typical batch of sensors.

Figure 3 Zero Temperature Dependence

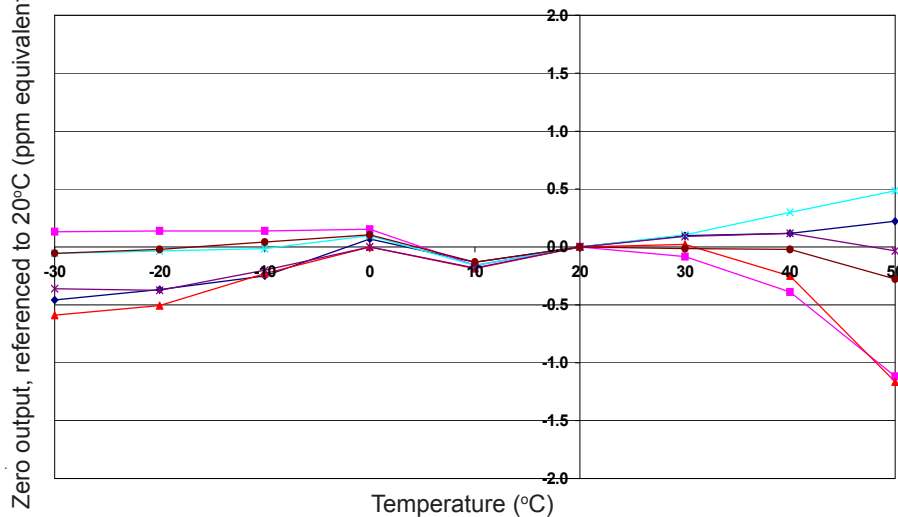


Figure 3 shows the variation in zero output caused by changes in temperature, expressed as ppm gas equivalent, referenced to zero at 20°C.

This data is taken from a typical batch of sensors.

Figure 4 Sensitivity Long Term Stability

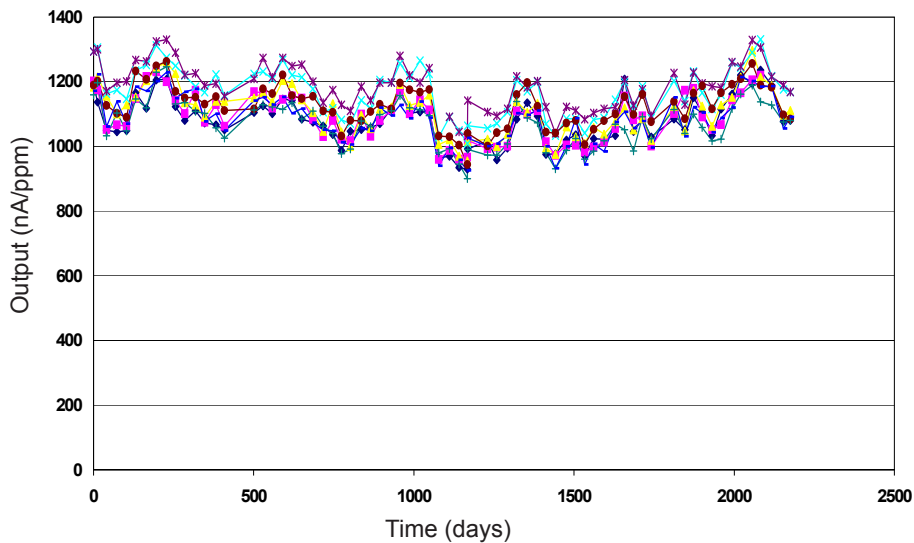


Figure 4 shows the excellent long term stability of the sensitivity of the H2S-AH resulting from the combination of patented design, superior electrochemistry and automated

ApolloSense Ltd